

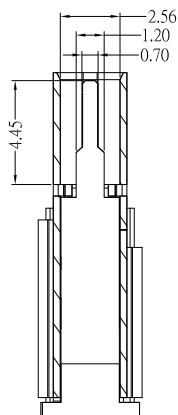
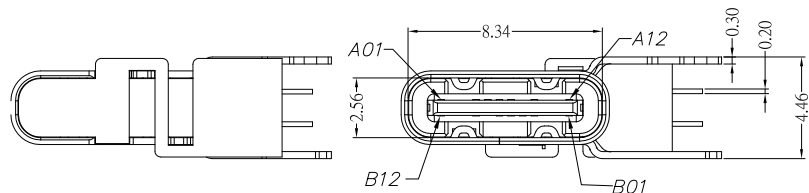


SBC-140P3H-20x-S412

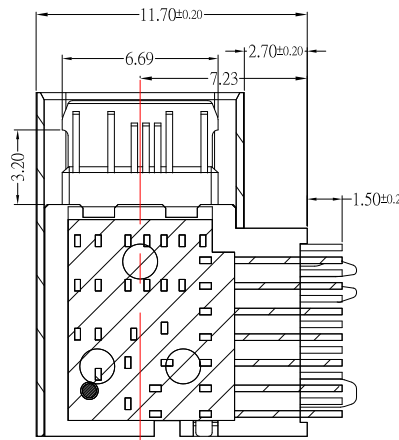
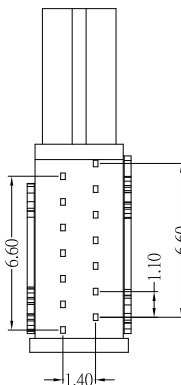
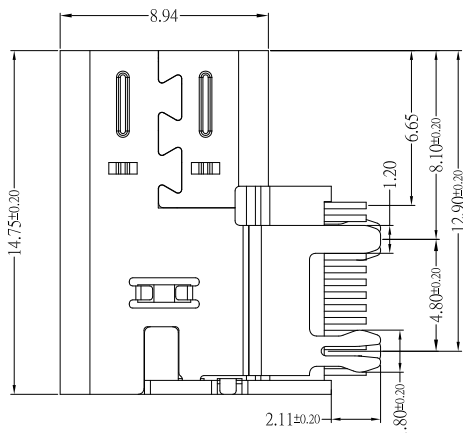
鍍層厚度：

Blank : 1u"
2 : 15u"
3 : 30u"

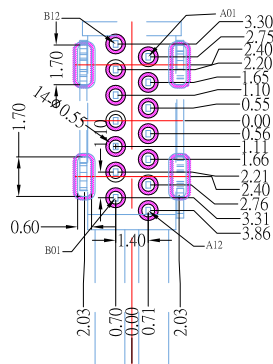
A1	GND	B12	GND
A4	VBUS	B9	VBUS
A5	CC1		
A6	DPI	B7	DN2
A7	DN1	B6	DP2
		B5	CC2
A9	VBUS	B4	VBUS
A12	GND	B1	GND
PIN	SIGNAL_NAME	PIN	SIGNAL_NAME



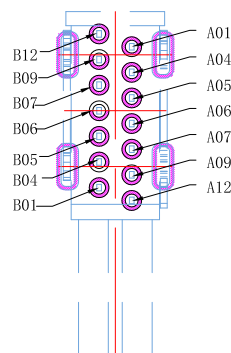
截面 2-2



截面 3-3



RECOMMENDED P.C.B. LAYOUT



SPECIFICATIONS

Electrical:

1. Rating: 5.0 A
2. Dielectric Withstand Voltage: 100V AC
3. Contact Resistance: 40 mΩ Max
4. Insulation Resistance: 100 MΩ Min

Mechanical:

1. Connector Mate and Unmate Force
 - 1.1 Mate force: 5~20 N
 - 1.2 Unmate force: 8~20 N

Material:

1. Housing: LCP
2. Contact: C1814
3. Shell: SUS

Finish:

1. Contact: Plated Gold in Mating Area ;
Gold Plated on Solder Balls ;
Nickel under plated overall
2. Shell: Nickel under Plated surface layer

2	更新樣式	Jack	061722
1	新增尺寸	Jack	102521
ITEM NO.	DESCRIPTION	DRAWN	DATE

CONTACT 建倚科技股份有限公司
CONTACT TECHNOLOGY CORP.

TOLERANCE UNLESS OTHERWISE STATED:
 Up to 5 ±0.2
 Above 5 ~ 15 ±0.3
 Above 15 ~ 30 ±0.4
 Above 30 ~ 50 ±0.5
 Angle ±0.3°

3RD. ANGEL'S

UNITS MM

DRAWN BY:	DATE	MAT'L	TITLE	CONNECTOR
Jack Lu	06/17/22			
CHECKED BY:	DATE	FINISH	MODLE	USB 3.1 側插母座 14 PIN 墊高2.7 高導電銅
Jacky Chen	06/17/22			
APPROVED BY:	DATE	SCALE	DWG NO.	SBC-140P3H-20x-S412
Tony Kao	06/17/22	1 : 1	PART NO.	SBC-140P3H-20x-S412
		SHEET NO.	1 of 1	SIZE A4 VER R2